

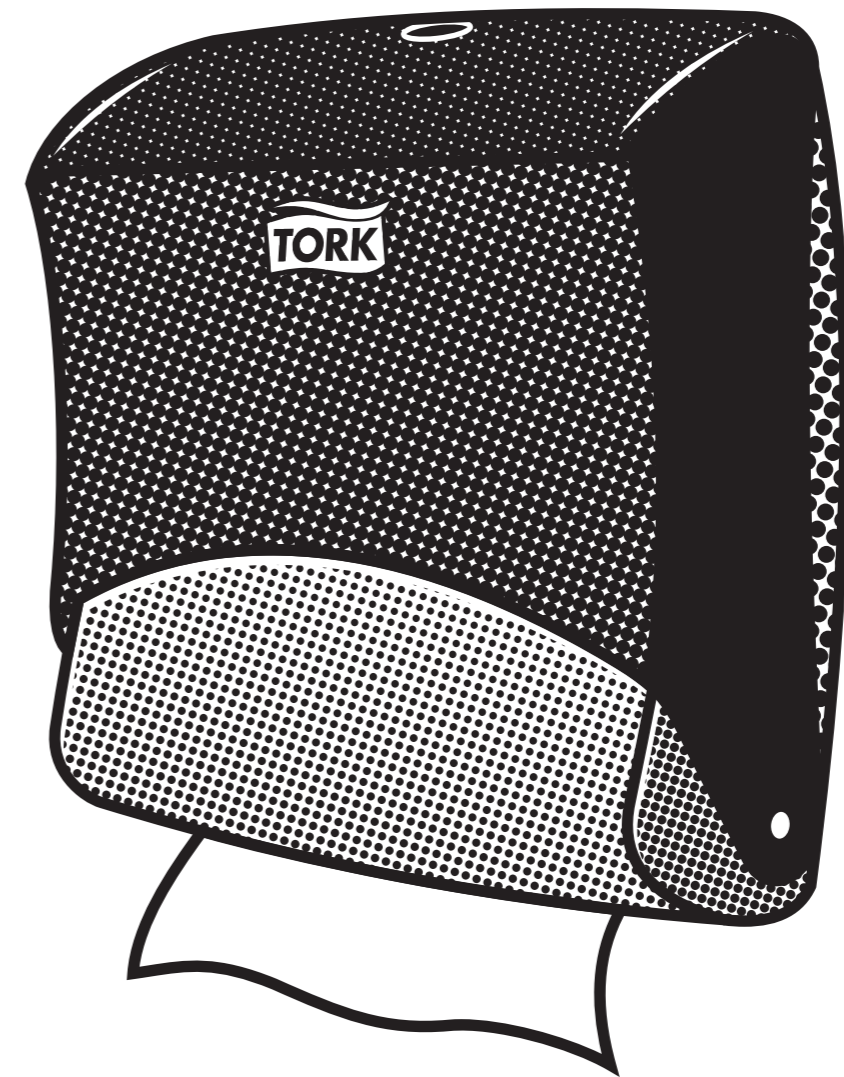
European Community Design Registration RCD 001149447

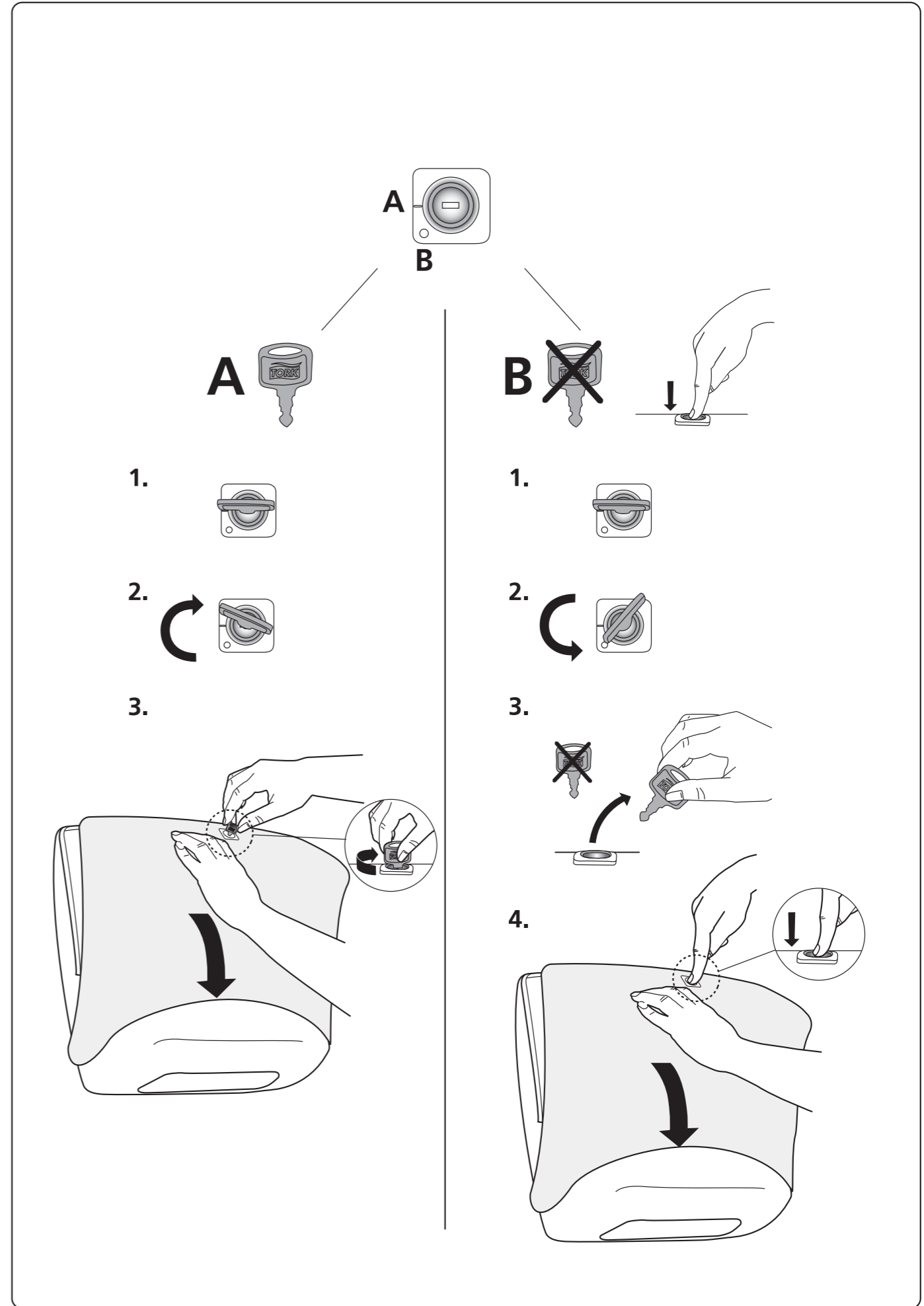
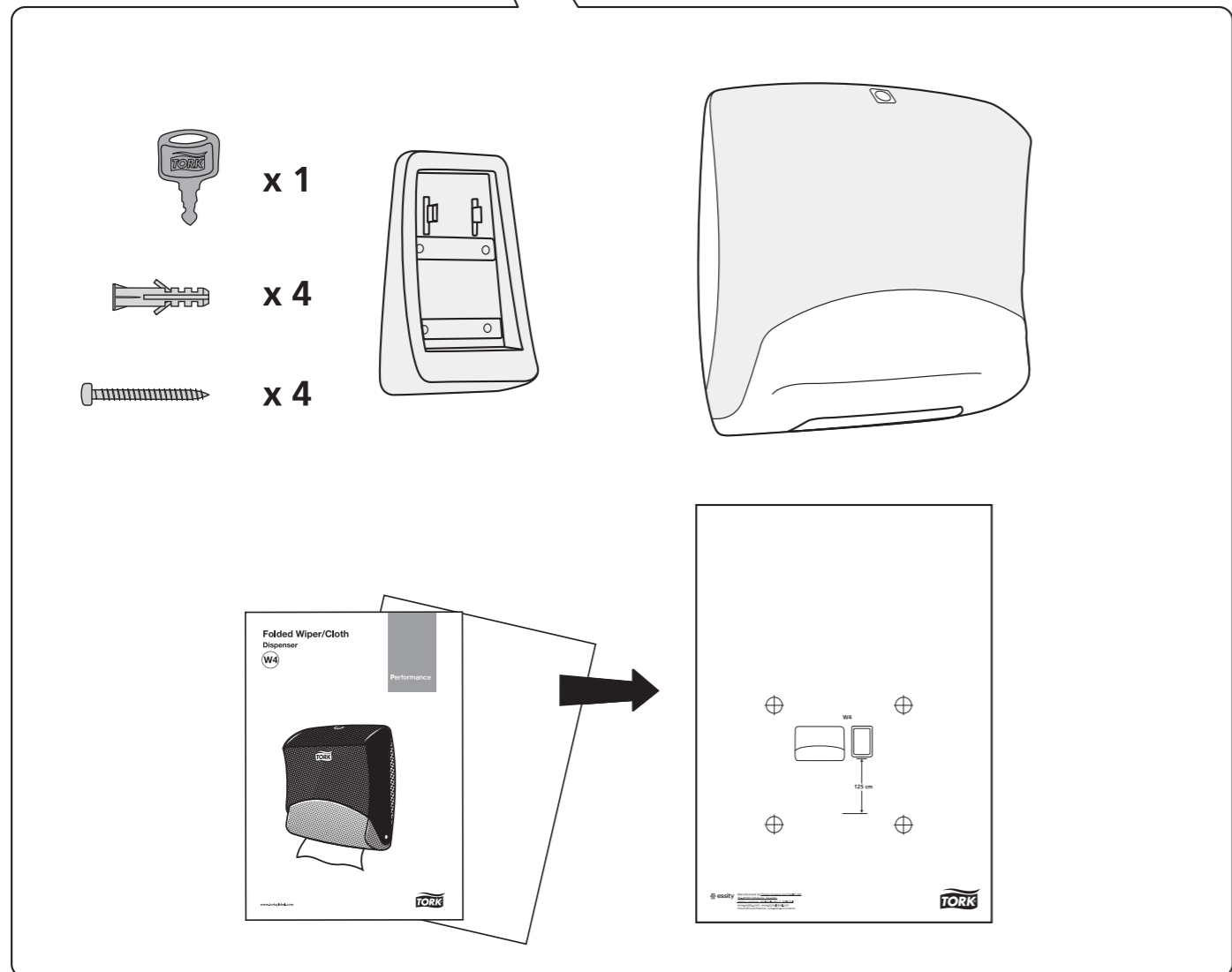
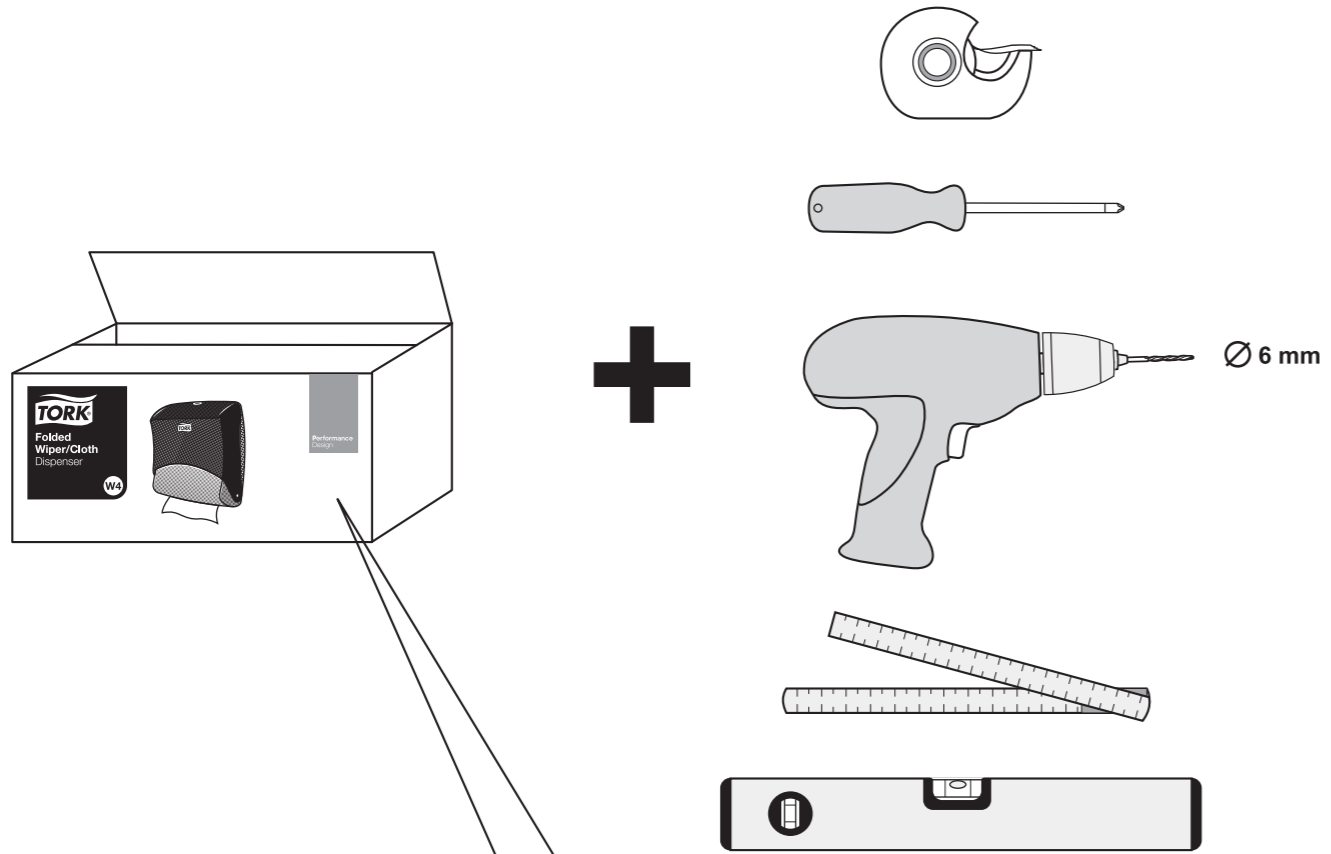
2012-12-04

# Folded Wiper/Cloth Dispenser

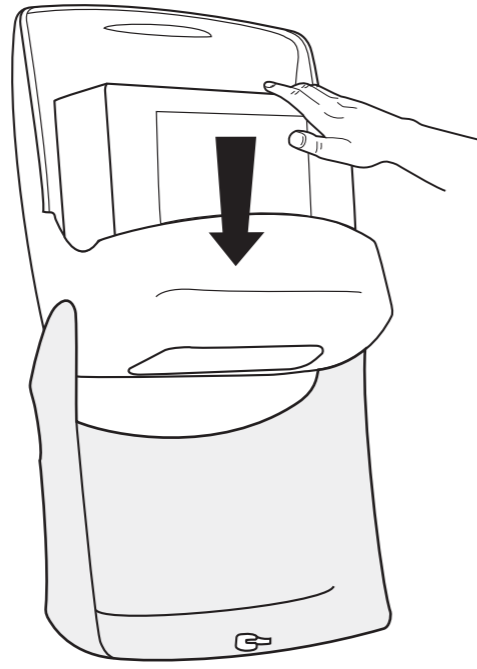
W4

Performance  
Design

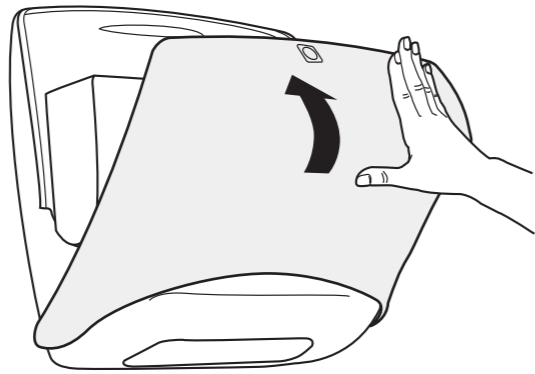




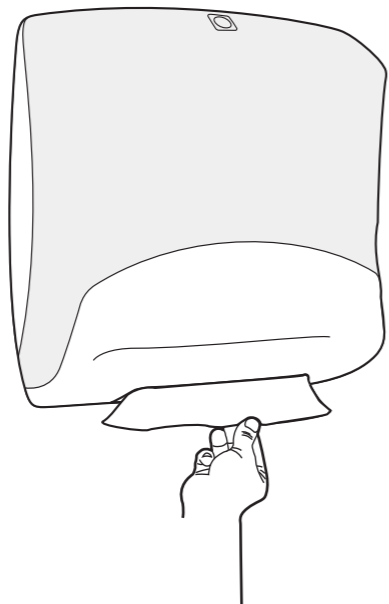
4.



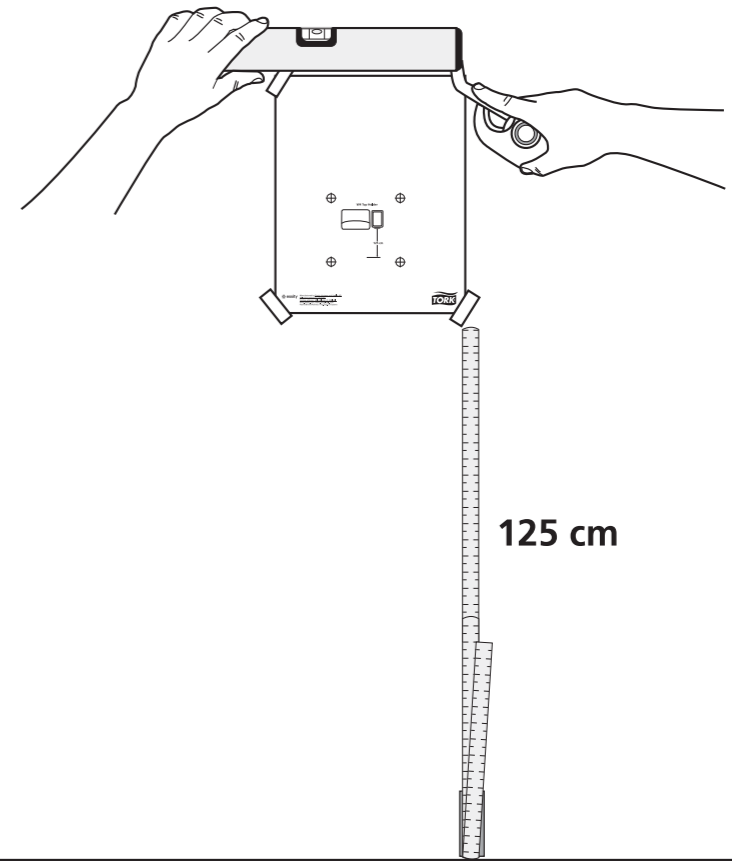
5.



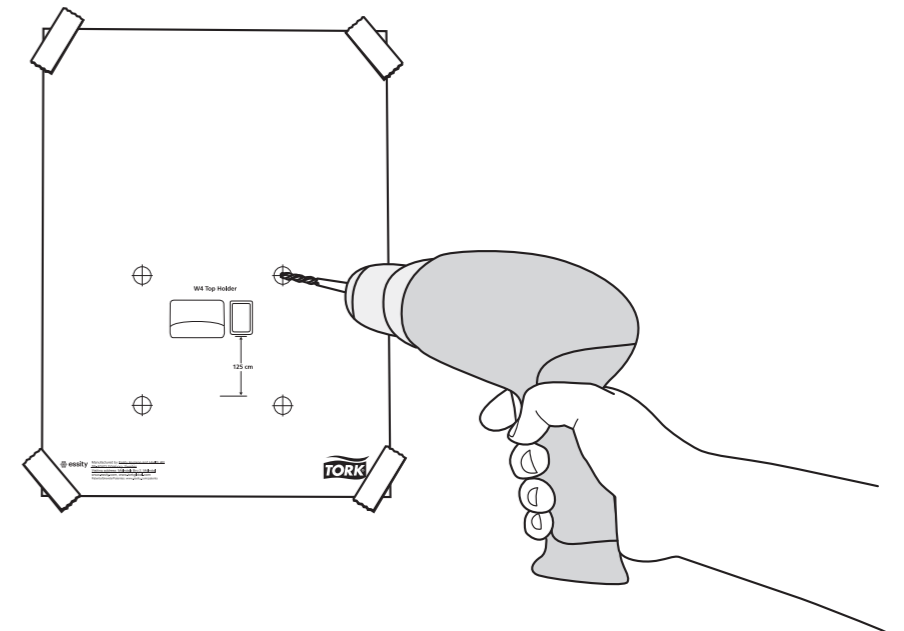
6.



1.



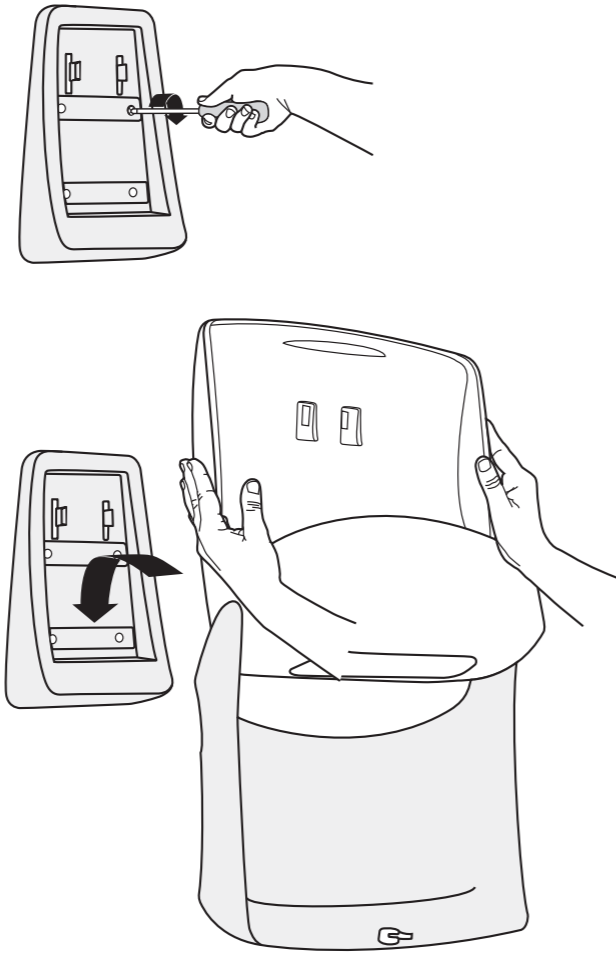
2.



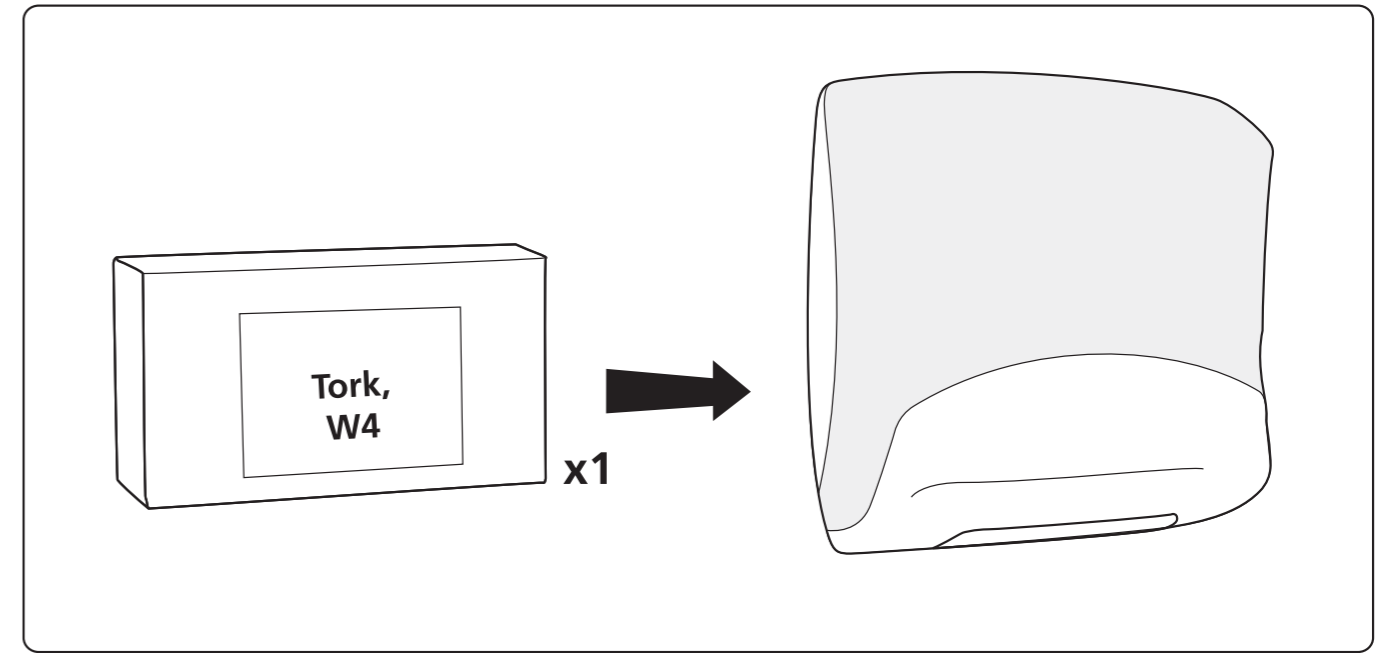
4.

 x4

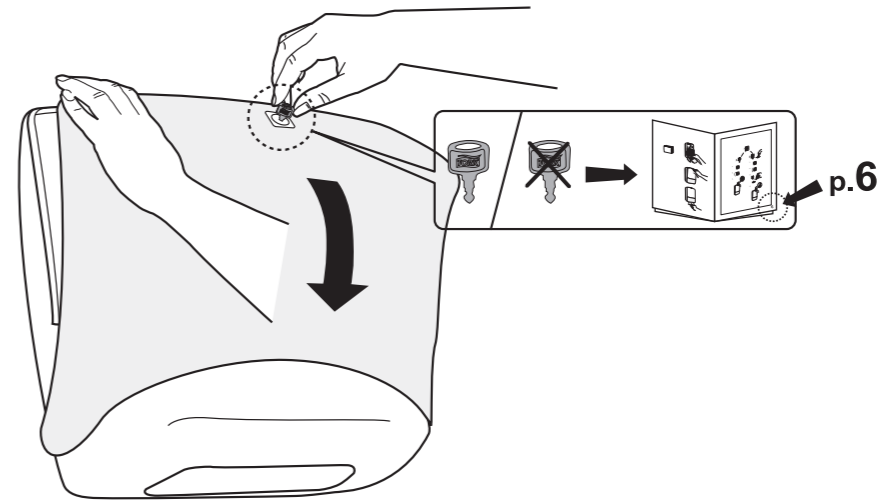
 x4



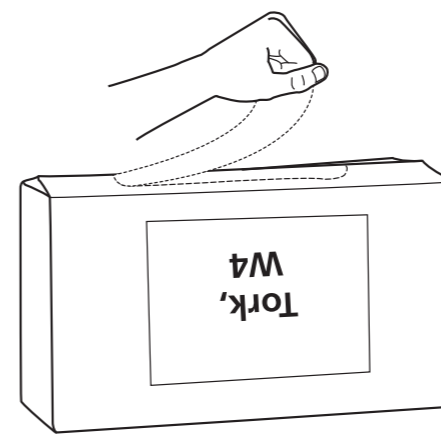
5.



1.



2.



3.

